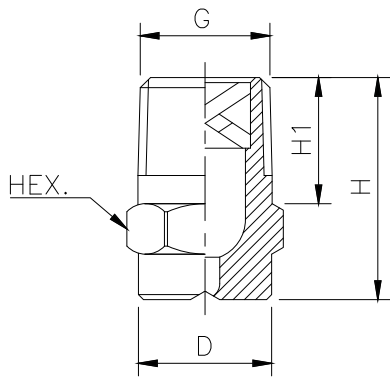


DD Series Full Cone Spray Nozzles - Square Pattern



Spray Angle 60°/ 90°



The square pattern full cone spray nozzle are used in continuous casting cooling areas. Secondary Cooling areas is of vital importance.

This nozzle gives uniform distribution of cooling water, fine sprays with narrow drop spectrums and quick removing of cooling water from the strand surface which are considered vital for obtaining a perfect steel quality.

Characteristic :

Full cone spray pattern with uniform distribution throughout the approximately square cone.

Typical Applications:

- Cooling and quenching
- Product washing
- Air and gas washers
- Scrubbers
- Liquor washers

60° SPRAY ANGLE	CONNECTION END						ORIFICE SIZE (mm)	FLOW CAPACITY IN LPM AT DIFFERENT PRESSURE							G/A DIMENSION. MM				
	1/8"	1/4"	3/8"	1/2"	3/4"	1"		PRESSURE [BAR]							CONN.	H	H1	D	HEX
MODEL NO.	BSP	BSP	BSP	BSP	BSP	BSP	0.5	1.0	2.0	3.0	5.0	7.0	10.0						
DD14.100	●						1.2	0.50	0.71	1.00	1.22	1.58	1.87	2.24	1/8"	18	6.5	10	11
DD14.150	●						1.5	0.75	1.06	1.50	1.84	2.37	2.81	3.35	Weight (Metals) = 9 gms. Approx				
DD14.175	●						1.6	0.87	1.24	1.75	2.14	2.77	3.27	3.91	1/4"	22	10	13	14
DD14.200	●						1.7	1.00	1.41	2.00	2.45	3.16	3.74	4.47	Weight (Metals) = 17 gms. Approx				
DD14.250	●						1.9	1.25	1.77	2.50	3.06	3.95	4.68	5.59	3/8"	25	10	16	17
DD14.300	●						2.0	1.50	2.12	3.00	3.67	4.74	5.61	6.71	Weight (Metals) = 30 gms. Approx				
DD14.350	●	●					2.2	1.75	2.47	3.50	4.29	5.53	6.55	7.83	1/2"	32	13.2	21	22
DD14.400		●	●				2.4	2.00	2.83	4.00	4.90	6.32	7.48	8.94	Weight (Metals) = 66 gms. Approx				
DD14.475		●	●				2.6	2.37	3.36	4.75	5.82	7.51	8.89	10.62	3/4"	42	15	32	27
DD14.650		●	●				3.1	3.25	4.60	6.50	7.96	10.28	12.16	14.53	Weight (Metals) = 155 gms. Approx				
DA14.800			●				3.4	4.00	5.66	8.00	9.80	12.65	14.97	17.89	1"	56	17	39	36
DD24.100			●				3.8	5.00	7.07	10.00	12.25	15.81	18.71	22.36	Weight (Metals) = 367 gms. Approx				
DD24.125				●			4.2	6.25	8.84	12.50	15.31	19.76	23.39	27.95					
DD24.160				●			4.8	8.00	11.31	16.00	19.60	25.30	29.93	35.78					
DD24.180				●			5.2	9.00	12.73	18.00	22.05	28.46	33.67	40.25					
DD24.200					●		5.4	10.00	14.14	20.00	24.49	31.62	37.42	44.72					
DD24.225					●		5.7	11.25	15.91	22.50	27.56	35.58	42.09	50.31					
DD24.250					●		6.0	12.50	17.68	25.00	30.62	39.53	46.77	55.90					
DD24.320						●	6.8	16.00	22.63	32.00	39.19	50.60	59.87	71.55					
DD24.400						●	7.3	20.00	28.28	40.00	48.99	63.25	74.83	89.44					
DD24.520						●	8.3	26.00	36.77	52.00	63.69	82.22	97.28	116.28					

End Connection : X – BSP, Y - BSPT, Z – NPT Available.

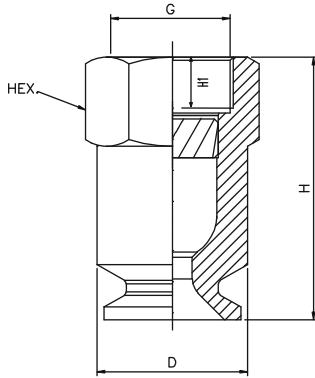
DD Series Full Cone Spray Nozzles - Square Pattern

90° SPRAY ANGLE	CONNECTION END						ORIFICE SIZE (mm)	FLOW CAPACITY IN LPM AT DIFFERENT PRESSURE							G/A DIMENSION. MM				
	1/8"	1/4"	3/8"	1/2"	3/4"	1"		PRESSURE [BAR]							CONN.	H	H1	D	HEX
MODEL NO.	BSP	BSP	BSP	BSP	BSP	BSP	0.5	1.0	2.0	3.0	5.0	7.0	10.0	1/8"	18	6.5	10	11	
DD16.100	●						1.2	0.50	0.71	1.00	1.22	1.58	1.87	2.24	1/8"	18	6.5	10	11
DD16.150	●						1.4	0.75	1.06	1.50	1.84	2.37	2.81	3.35	Weight (Metals) = 9 gms. Approx				
DD16.175	●						1.5	0.87	1.24	1.75	2.14	2.77	3.27	3.91	1/4"	22	10	13	14
DD16.200	●						1.6	1.00	1.41	2.00	2.45	3.16	3.74	4.47	Weight (Metals) = 17 gms. Approx				
DD16.250	●						1.8	1.25	1.77	2.50	3.06	3.95	4.68	5.59	3/8"	25	10	16	17
DD16.300	●						2.0	1.50	2.12	3.00	3.67	4.74	5.61	6.71	Weight (Metals) = 30 gms. Approx				
DD16.350	●	●	●				2.2	1.75	2.47	3.50	4.29	5.53	6.55	7.83	1/2"	32	13.2	21	22
DD16.400	●	●	●				2.3	2.00	2.83	4.00	4.90	6.32	7.48	8.94	Weight (Metals) = 66 gms. Approx				
DD16.475		●	●				2.5	2.37	3.36	4.75	5.82	7.51	8.89	10.62	3/4"	42	15	32	27
DD16.650		●	●				2.9	3.25	4.60	6.50	7.96	10.28	12.16	14.53	Weight (Metals) = 155 gms. Approx				
DD16.800		●	●				3.3	4.00	5.66	8.00	9.80	12.65	14.97	17.89	1"	56	17	39	36
DD26.100			●				3.6	5.00	7.07	10.00	12.25	15.81	18.71	22.36	Weight (Metals) = 367 gms. Approx				
DD26.125			●				4.1	6.25	8.84	12.50	15.31	19.76	23.39	27.95					
DD26.160			●	●			4.6	8.00	11.31	16.00	19.60	25.30	29.93	35.78					
DD26.180				●			5.9	9.00	12.73	18.00	22.05	28.46	33.67	40.25					
DD26.200				●			5.2	10.00	14.14	20.00	24.49	31.62	37.42	44.72					
DD26.225				●			5.5	11.25	15.91	22.50	27.56	35.58	42.09	50.31					
DD26.250				●	●		5.8	12.50	17.68	25.00	30.62	39.53	46.77	55.90					
DD26.320				●	●		6.5	16.00	22.63	32.00	39.19	50.60	59.87	71.55					
DD26.400					●		7.3	20.00	28.28	40.00	48.99	63.25	74.83	89.44					
DD26.520					●	●	8.3	26.00	36.77	52.00	63.69	82.22	97.28	116.28					
DD26.650					●	●	9.3	32.50	45.96	65.00	79.61	102.77	121.60	145.34					
DD26.720					●	●	9.8	36.00	50.91	72.00	88.18	113.8	134.7	161.0					

120° SPRAY ANGLE	CONNECTION END						ORIFICE SIZE (mm)	FLOW CAPACITY IN LPM AT DIFFERENT PRESSURE							G/A DIMENSION. MM				
	1/8"	1/4"	3/8"	1/2"	3/4"	1"		PRESSURE [BAR]							CONN.	H	H1	D	HEX
MODEL NO.	BSP	BSP	BSP	BSP	BSP	BSP	0.5	1.0	2.0	3.0	5.0	7.0	10.0	1/8"	18	6.5	10	11	
DD18.100	●						1.2	0.50	0.71	1.00	1.22	1.58	1.87	2.24	1/8"	18	6.5	10	11
DD18.150	●						1.5	0.75	1.06	1.50	1.84	2.37	2.81	3.35	Weight (Metals) = 9 gms. Approx				
DD18.175	●						1.6	0.87	1.24	1.75	2.14	2.77	3.27	3.91	1/4"	22	10	13	14
DD18.200	●						1.7	1.00	1.41	2.00	2.45	3.16	3.74	4.47	Weight (Metals) = 17 gms. Approx				
DD18.250	●						1.9	1.25	1.77	2.50	3.06	3.95	4.68	5.59	3/8"	25	10	16	17
DD18.300	●						2.0	1.50	2.12	3.00	3.67	4.74	5.61	6.71	Weight (Metals) = 30 gms. Approx				
DD18.350	●						2.3	1.75	2.47	3.50	4.29	5.53	6.55	7.83	1/2"	32	13.2	21	22
DD18.400	●	●	●				2.5	2.00	2.83	4.00	4.90	6.32	7.48	8.94	Weight (Metals) = 66 gms. Approx				
DD18.475	●	●	●				2.7	2.37	3.36	4.75	5.82	7.51	8.89	10.62	3/4"	42	15	32	27
DD18.650		●	●				3.1	3.25	4.60	6.50	7.96	10.28	12.16	14.53	Weight (Metals) = 155 gms. Approx				
DD18.800		●	●				3.5	4.00	5.66	8.00	9.80	12.65	14.97	17.89	1"	56	17	39	36
DD28.100			●				3.9	5.00	7.07	10.00	12.25	15.81	18.71	22.36	Weight (Metals) = 367 gms. Approx				
DD28.125			●				4.3	6.25	8.84	12.50	15.31	19.76	23.39	27.95					
DD28.160			●	●			4.9	8.00	11.31	16.00	19.60	25.30	29.93	35.78					
DD28.180				●			5.2	9.00	12.73	18.00	22.05	28.46	33.67	40.25					
DD28.200				●			5.5	10.00	14.14	20.00	24.49	31.62	37.42	44.72					
DD28.225				●			5.8	11.25	15.91	22.50	27.56	35.58	42.09	50.31					
DD28.250				●	●		6.1	12.50	17.68	25.00	30.62	39.53	46.77	55.90					
DD28.320				●	●		6.9	16.00	22.63	32.00	39.19	50.60	59.87	71.55					
DD28.400					●		7.7	20.00	28.28	40.00	48.99	63.25	74.83	89.44					
DD28.520					●	●	8.8	26.00	36.77	52.00	63.69	82.22	97.28	116.28					
DD28.650					●	●	9.9	32.50	45.96	65.00	79.61	102.77	121.60	145.34					
DD28.720					●	●	10.4	36.00	50.91	72.00	88.18	113.8	134.7	161.0					

End Connection : X – BSP, Y - BSPT, Z – NPT Available.

DD Series Full Cone Spray Nozzles - Square Pattern



Typical Applications:

- Cooling and quenching
- Product washing
- Air and gas washers
- Scrubbers
- Liquor washers
- Dust control
- Fire protection

Full cone spray nozzle square spray pattern with a square impact area and uniform spray of medium to large drops across their entire spray area over a wide range of spraying pressure and flow rates. This uniform spray distribution is the result of unique vane design. Well suited for installation complete coverage of rectangular areas or spray zones

MODEL NO.	CONNECTION END			ORIFICE SIZE (mm)	FLOW CAPACITY IN LPM AT DIFFERENT PRESSURE							G/A DIMENSION. MM				
	1 1/4"	1 1/2"	2"		PRESSURE [BAR]							CONN.	H	H1	D	A/F
90° SPRAY ANGLE	BSP BSPT NPT	BSP BSPT NPT	BSP BSPT NPT		0.5	1.0	2.0	3.0	5.0	7.0	10.0	1 1/4"	H	H1	D	A/F
DD26.650	●			9.7	32.5	45.96	65.00	79.61	102.77	121.60	145.34	1 1/4"		19	49	41
DD26.800	●			10.7	40.00	56.57	80.00	97.98	126.49	149.67	178.89	Weight (Metals) = 525.0 gms. Approx				
DD36.100	●			12.0	50.00	70.71	100.0	122.47	158.11	187.08	223.61	1 1/2"	85	22	59	50
DD36.118		●		13.0	59.00	83.44	118.0	144.52	186.57	220.76	263.86	Weight (Metals) = 915.0 gms. Approx				
DD36.130		●		13.7	65.00	91.92	130.0	159.22	205.55	243.21	290.69	2"	106	24	68	60
DD36.160		●		15.20	80.00	113.14	160.0	195.96	252.98	299.33	357.77	Weight (Metals) = 1535.0 gms. Approx				
DD36.200			●	17.0	100	141.42	200.0	244.95	316.23	374.17	447.21					
DD36.227			●	18.1	113.5	160.51	227.0	278.02	358.92	424.68	507.59					
DD36.250			●	19.0	125	176.78	250.0	306.19	395.19	467.71	559.02					
DD36.300			●	20.5	150	212.13	300.0	367.42	474.34	561.25	670.82					
DD36.337			●	22.0	168.5	238.29	337.0	412.74	532.84	630.47	753.55					

MODEL NO.	CONNECTION END			ORIFICE SIZE (mm)	FLOW CAPACITY IN LPM AT DIFFERENT PRESSURE							G/A DIMENSION. MM				
	1 1/4"	1 1/2"	2"		PRESSURE [BAR]							CONN.	H	H1	D	A/F
120° SPRAY ANGLE	BSP BSPT NPT	BSP BSPT NPT	BSP BSPT NPT		0.5	1.0	2.0	3.0	5.0	7.0	10.0	CONN.	H	H1	D	A/F
DD28.800	●			11.4	40.00	56.57	80.00	97.98	126.49	149.67	178.89	1 1/4"	74	19	49	41
DD38.100	●			12.7	50.00	70.71	100.0	122.47	158.11	187.08	223.61	Weight (Metals) = XX gms. Approx				
DD38.118	●	●		13.8	59.00	83.44	118.0	144.52	186.57	220.76	263.86	1 1/2"	85	22	59	50
DD38.130	●	●		14.5	65.00	91.92	130.0	159.22	205.55	243.21	290.69	Weight (Metals) = XX gms. Approx				
DD38.160		●		16.1	80.00	113.14	160.0	195.96	252.98	299.33	357.77	2"	106	24	68	60
DD38.200			●	18.0	100.0	141.42	200.0	244.95	316.23	374.17	447.21	Weight (Metals) = XX gms. Approx				
DD38.227			●	19.1	113.5	160.51	227.0	278.02	358.92	424.68	507.59					
DD38.250			●	20.1	125.0	176.78	250.0	306.19	395.19	467.71	559.02					
DD38.300			●	21.5	150	212.13	300.0	367.42	474.34	561.25	670.82					
DD38.337			●	23.3	168.5	238.29	337.0	412.74	532.84	630.47	753.55					