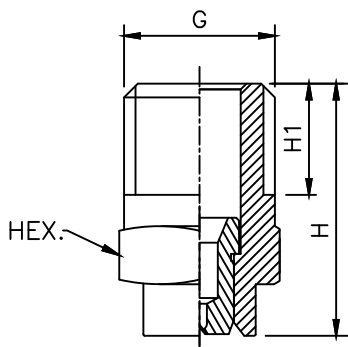


CN Series Flat Spray Nozzle (Insert Design)

CN



Standard design with self sealing thread connection. Stable spray angle, Uniform distribution of liquid, parabolical distribution of liquid.

Design : One piece construction, Non clogging type.

Application : Rinsing, Lubricating, Industrial washing machines, Cake washing in Centrifuge, CIP, Tray washing.

MOC : SS 304 - Body
SS 420 - Insert

'C' Series Flat Spray Nozzles are designed for high pressure / high impact washing application. These nozzles are specially designed and machined with precision which allows even spray coverage and distribution. This results in effective and uniform cleaning action over the surface being processed. Flat spray nozzles are available in all steel grades, Plastics & other alloys. Spray angle range available from 15° to 60° .

NOTE: Spray angle is designed considering 100 bar pressure; it may reduce or increase on higher or lower pressures. please confirm operating pressure while ordering.

15° SPRAY ANGLE	CONNECTION END		APPROX ORIFICE SIZE (mm)	FLOW CAPACITY IN LPM AT DIFFERENT PRESSURE									G/A DIMENSION. MM				
	1/8"	1/4"		PRESSURE [BAR]													
MODEL NO.	BSP BSPT NPT	BSP BSPT NPT		2.0	10.0	40.0	60.0	80.0	100.0	120.0	150.0	200.0	CONN.	H	H1	D	HEX
CN11.075	●	●	1.0	0.75	1.68	3.35	4.11	4.74	5.30	5.81	6.50	7.50	1/8"	18	6.5	10.2	11
CN11.100	●	●	1.2	1.00	2.24	4.47	5.48	6.32	7.07	7.75	8.66	10.00	1/8" Weight (Metals) = 7 gms. Approx				
CN11.150	●	●	1.5	1.50	3.35	6.71	8.22	9.49	10.61	11.62	12.99	15.00	1/4"	22	10	13	14
CN11.175	●	●	1.6	1.75	3.91	7.83	9.59	11.07	12.37	13.56	15.16	17.50	1/4" Weight (Metals) = 18 gms. Approx				
CN11.200	●	●	1.7	2.00	4.47	8.94	10.95	12.65	14.14	15.49	17.32	20.00					
CN11.250	●	●	1.9	2.50	5.59	11.18	13.69	15.81	17.68	19.36	21.65	25.00					
CN11.300	●	●	2.1	3.0	6.71	13.42	16.43	18.97	21.21	23.24	25.98	30.00					
CN11.350		●	2.3	3.50	7.83	15.65	19.17	22.14	24.75	27.11	30.31	35.00					
CN11.400		●	2.4	4.00	8.94	17.89	21.91	25.30	28.28	30.98	34.64	40.00					
CN11.475		●	2.7	4.75	10.62	21.24	26.02	30.04	33.59	36.79	41.14	47.50					
CN11.650		●	3.1	6.50	14.53	29.07	35.60	41.11	45.96	50.35	56.29	65.00					
CN11.800		●	3.5	8.00	17.89	35.78	43.82	50.60	56.57	61.97	69.28	80.00					
CN21.100		●	3.9	10.00	22.36	44.72	54.77	63.25	70.71	77.46	86.60	100.0					
CN21.125		●	4.3	12.50	27.95	55.90	68.47	79.06									
CN21.160		●	4.9	16.00	35.78	71.55	87.64	101.19									
CN21.180		●	5.2	18.00	40.25	80.50	98.59	113.84									
CN21.200		●	5.5	20.00	44.72	89.44	109.54	126.49									
CN21.225		●	5.8	22.50	50.31	100.62	123.24	142.30									
CN21.250		●	6.1	25.00	55.90	111.80	136.93	158.11									

CN Series Flat Spray Nozzles (Insert Design)

30° SPRAY ANGLE	CONNECTION END		APPROX ORIFICE SIZE (mm)	FLOW CAPACITY IN LPM AT DIFFERENT PRESSURE										G/A DIMENSION. MM				
	1/8"	1/4"		PRESSURE [BAR]														
MODEL NO.	BSP BSPT NPT	BSP BSPT NPT		2.0	10.0	40.0	60.0	80.0	100.0	120.0	150.0	200.0	CONN.	H	H1	D	HEX	
CN12.075	●	●	1.0	0.75	1.68	3.35	4.11	4.74	5.30	5.81	6.50	7.50	1/8"	18	6.5	10.2	11	
CN12.100	●	●	1.2	1.00	2.24	4.47	5.48	6.32	7.07	7.75	8.66	10.00	1/8" Weight (Metals) = 7 gms. Approx					
CN12.150	●	●	1.5	1.50	3.35	6.71	8.22	9.49	10.61	11.62	12.99	15.00	1/4"	22	10	13	14	
CN12.175	●	●	1.6	1.75	3.91	7.83	9.59	11.07	12.37	13.56	15.16	17.50	1/4" Weight (Metals) = 18 gms. Approx					
CN12.200	●	●	1.7	2.00	4.47	8.94	10.95	12.65	14.14	15.49	17.32	20.00						
CN12.250	●	●	1.9	2.50	5.59	11.18	13.69	15.81	17.68	19.36	21.65	25.00						
CN12.300	●	●	2.1	3.00	6.71	13.42	16.43	18.97	21.21	23.24	25.98	30.00						
CN12.350	●	●	2.3	3.50	7.83	15.65	19.17	22.14	24.75	27.11	30.31	35.00						
CN12.400	●	●	2.4	4.00	8.94	17.89	21.91	25.30	28.28	30.98	34.64	40.00						
CN12.475	●	●	2.7	4.75	10.62	21.24	26.02	30.04	33.59	36.79	41.14	47.50						
CN12.650	●	●	3.1	6.50	14.53	29.07	35.60	41.11	45.96	50.35	56.29	65.00						
CN12.800	●	●	3.5	8.00	17.89	35.78	43.82	50.60	56.57	61.97	69.28	80.00						
CN22.100	●	●	3.9	10.00	22.36	44.72	54.77	63.25	70.71	77.46	86.60	100.0						
CN22.125	●	●	4.3	12.50	27.95	55.90	68.47	79.06										
CN22.160	●	●	4.9	16.00	35.78	71.55	87.64	101.19										
CN22.180	●	●	5.2	18.00	40.25	80.50	98.59	113.84										
CN22.200	●	●	5.5	20.00	44.72	89.44	109.54	126.49										
CN22.225	●	●	5.8	22.50	50.31	100.62	123.24	142.30										
CN22.250	●	●	6.1	25.00	55.90	111.80	136.93	158.11										

45° SPRAY ANGLE	CONNECTION END		APPROX ORIFICE SIZE (mm)	FLOW CAPACITY IN LPM AT DIFFERENT PRESSURE VALUES										G/A DIMENSION. MM				
	1/8"	1/4"		PRESSURE [BAR]														
MODEL NO.	BSP BSPT NPT	BSP BSPT NPT		2.0	10.0	40.0	60.0	80.0	100.0	120.0	150.0	200.0	CONN.	H	H1	D	HEX	
CN13.075	●	●	1.0	0.75	1.68	3.35	4.11	4.74	5.30	5.81	6.50	7.50	1/8"	18	6.5	10.2	11	
CN13.100	●	●	1.2	1.00	2.24	4.47	5.48	6.32	7.07	7.75	8.66	10.00	1/8" Weight (Metals) = 7 gms. Approx					
CN13.150	●	●	1.5	1.50	3.35	6.71	8.22	9.49	10.61	11.62	12.99	15.00	1/4"	22	10	13	14	
CN13.175	●	●	1.6	1.75	3.91	7.83	9.59	11.07	12.37	13.56	15.16	17.50	1/4" Weight (Metals) = 18 gms. Approx					
CN13.200	●	●	1.7	2.00	4.47	8.94	10.95	12.65	14.14	15.49	17.32	20.00						
CN13.250	●	●	1.9	2.50	5.59	11.18	13.69	15.81	17.68	19.36	21.65	25.00						
CN13.300	●	●	2.1	3.00	6.71	13.42	16.43	18.97	21.21	23.24	25.98	30.00						
CN13.350	●	●	2.3	3.50	7.83	15.65	19.17	22.14	24.75	27.11	30.31	35.00						
CN13.400	●	●	2.4	4.00	8.94	17.89	21.91	25.30	28.28	30.98	34.64	40.00						
CN13.475	●	●	2.7	4.75	10.62	21.24	26.02	30.04	33.59	36.79	41.14	47.50						
CN13.650	●	●	3.1	6.50	14.53	29.07	35.60	41.11	45.96	50.35	56.29	65.00						
CN13.800	●	●	3.5	8.00	17.89	35.78	43.82	50.60	56.57	61.97	69.28	80.00						
CN23.100	●	●	3.9	10.00	22.36	44.72	54.77	63.25	70.71	77.46	86.60	100.0						
CN23.125	●	●	4.3	12.50	27.95	55.90	68.47	79.06										
CN23.160	●	●	4.9	16.00	35.78	71.55	87.64	101.19										
CN23.180	●	●	5.2	18.00	40.25	80.50	98.59	113.84										
CN23.200	●	●	5.5	20.00	44.72	89.44	109.54	126.49										
CN23.225	●	●	5.8	22.50	50.31	100.62	123.24	142.30										
CN23.250	●	●	6.1	25.00	55.90	111.80	136.93	158.11										

CN Series Flat Spray Nozzles (Insert Design)

60° SPRAY ANGLE	CONNECTION END		APPROX ORIFICE SIZE (mm)	FLOW CAPACITY IN LPM AT DIFFERENT PRESSURE VALUES										G/A DIMENSION. MM				
	1/8"	1/4"		PRESSURE [BAR]														
MODEL NO.	BSP BSPT NPT	BSP BSPT NPT		2.0	10.0	40.0	60.0	80.0	100.0	120.0	150.0	200.0	CONN.	H	H1	D	HEX	
CN14.075	●	●	1.0	0.75	1.68	3.35	4.11	4.74	5.30	5.81	6.50	7.50	1/8"	18	6.5	10.2	11	
CN14.100	●	●	1.2	1.00	2.24	4.47	5.48	6.32	7.07	7.75	8.66	10.00	1/8" Weight (Metals) = 7 gms. Approx					
CN14.150	●	●	1.5	1.50	3.35	6.71	8.22	9.49	10.61	11.62	12.99	15.00	1/4"	22	10	13	14	
CN14.175	●	●	1.6	1.75	3.91	7.83	9.59	11.07	12.37	13.56	15.16	17.50	1/4" Weight (Metals) = 18 gms. Approx					
CN14.200	●	●	1.7	2.00	4.47	8.94	10.95	12.65	14.14	15.49	17.32	20.00						
CN14.250	●	●	1.9	2.50	5.59	11.18	13.69	15.81	17.68	19.36	21.65	25.00						
CN14.300	●	●	2.1	3.00	6.71	13.42	16.43	18.97	21.21	23.24	25.98	30.00						
CN14.350	●	●	2.3	3.50	7.83	15.65	19.17	22.14	24.75	27.11	30.31	35.00						
CN14.400		●	2.4	4.00	8.94	17.89	21.91	25.30	28.28	30.98	34.64	40.00						
CN14.475		●	2.7	4.75	10.62	21.24	26.02	30.04	33.59	36.79	41.14	47.50						
CN14.650		●	3.1	6.50	14.53	29.07	35.60	41.11	45.96	50.35	56.29	65.00						
CN14.800		●	3.5	8.00	17.89	35.78	43.82	50.60	56.57	61.97	69.28	80.00						
CN24.100		●	3.9	10.00	22.36	44.72	54.77	63.25	70.71	77.46	86.60	100.0						
CN24.125		●	4.3	12.50	27.95	55.90	68.47	79.06										
CN24.160		●	4.9	16.00	35.78	71.55	87.64	101.19										
CN24.180		●	5.2	18.00	40.25	80.50	98.59	113.84										
CN24.200		●	5.5	20.00	44.72	89.44	109.54	126.49										
CN24.225		●	5.8	22.50	50.31	100.62	123.24	142.30										
CN24.250		●	6.1	25.00	55.90	111.80	136.93	158.11										