

SH SERIES PIPE HOLDERS

SH series pipe holders are user-friendly and convenient solution for fixing spray manifolds onto tunnels walls in surface treatment plants. They are easy to assemble, excellent fastening and low cost. The single clip type is suitable for plastic pipes and double clip is suitable for metallic pipes.

Typical application : Holding pipe, Piping assembly

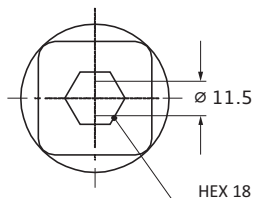
Pipe size : 3/4", 1", 1 1/4", 1 1/2", 2"

Materials

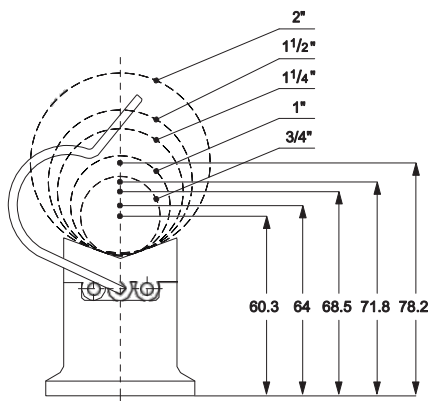
Body : Polypropylene (20%-25% glass filled)

Clamp : SS 304 / SS 316

Colour : L. Blue



SH series holder body is designed to be fastened to the tunnel wall by means of one M10 bolt with 17 mm hexagonal head.

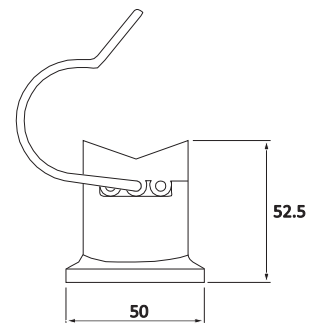


The drawing shows the distances of the pipe central axis from the wall for different pipe sizes assembled onto the pipe holder.

CODE		PIPE SIZE (inch)
Single Clamp	Double Clamp	
SH1E	SH2E	3/4"
SH1F	SH2F	1"
SH1G	SH2G	1 1/4"
SH1H	SH2H	1 1/2"
SH1K	SH2K	2"



Single Clamp



Double Clamp

