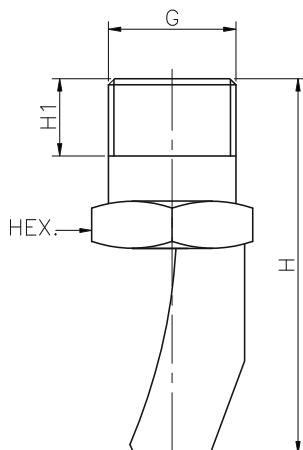


CG Series High Impact Flat Spray Nozzles

CG




CG Flat nozzles work on the deflection principal conveying a water vein onto a deflection surface designed to produce a narrow jet with flat spray pattern, high impact value and medium size droplets. CG style nozzles shown in this page are available with a threaded connection and, for the capacity sizes shown in the table with a quick coupling connection for assembly onto the matching quick connection nipple.


How to compose the nozzle code :

The nozzle shown on this page can be supplied with same capacity and a different connection thread, the size is indicated by the second digit in the nozzle code.


Application :


Cleaning, washing decreasing and phosphating processing Powerful jet narrowly defined spray pattern. Non-clogging.

15° SPRAY ANGLE η 10°	CONNECTION END				ORIFICE SIZE (mm)	FLOW CAPACITY IN LPM AT DIFFERENT PRESSURE							G/A DIMENSION. MM			
	1/4"	3/8"	1/2"	3/4"		PRESSURE [BAR]										
MODEL NO. 	BSP BSPT NPT	BSP BSPT NPT	BSP BSPT NPT	BSP BSPT NPT		0.5	1.0	2.0	3.0	5.0	7.0	10.0	CONN.	H	H1	HEX
CG11.350	●				2.3	1.75	2.47	3.50	4.29	5.53	6.55	7.83	1/4"	65	10	17
CG11.650	●				3.1	3.25	4.60	6.50	7.96	10.28	12.16	14.53	Weight (Metals) = 55.0 gms. Approx			
CG21.100		●			3.9	5.00	7.07	10.0	12.25	15.81	18.71	22.36	3/8"	75	10	17
CG21.125		●			4.3	6.25	8.84	12.50	15.31	19.76	23.39	27.95	Weight (Metals) = 61.0 gms. Approx			
CG21.160		●			4.9	8.00	11.31	16.00	19.60	25.30	29.93	35.78	1/2"	80	13.2	22
CG21.180			●		5.2	9.00	12.73	18.00	22.05	28.46	33.67	40.25	Weight (Metals) = 143.0 gms. Approx			
CG21.200			●		5.5	10.00	14.14	20.00	24.49	31.62	37.42	44.72	3/4"	102	14.5	27
CG21.250			●		6.1	12.50	17.68	25.00	30.62	39.53	46.77	55.90	Weight (Metals) = 136 gms. Approx			
CG21.320			●	●	6.4	16.00	22.63	32.00	39.19	50.60	59.87	71.55				
CG21.400				●	7.8	20.00	28.28	40.00	48.99	63.25	74.83	89.44				
CG21.520				●	8.9	26.00	36.77	52.00	63.69	82.22	97.28	116.28				
CG21.650				●	9.9	32.50	45.96	65.00	79.61	102.77	121.60	145.34				

30° SPRAY ANGLE η 20°	CONNECTION END				ORIFICE SIZE (mm)	FLOW CAPACITY IN LPM AT DIFFERENT PRESSURE							G/A DIMENSION. MM			
	1/4"	3/8"	1/2"	3/4"		PRESSURE [BAR]										
MODEL NO. 	BSP BSPT NPT	BSP BSPT NPT	BSP BSPT NPT	BSP BSPT NPT		0.5	1.0	2.0	3.0	5.0	7.0	10.0	CONN.	H	H1	HEX
CG12.350	●				2.3	1.75	2.47	3.50	4.29	5.53	6.55	7.83	1/4"	45	10	17
CG12.650	●				3.1	3.25	4.60	6.50	7.96	10.28	12.16	14.53	Weight (Metals) = XX gms. Approx			
CG22.100		●			3.9	5.00	7.07	10.0	12.25	15.81	18.71	22.36	3/8"	75	10	17
CG22.125		●			4.3	6.25	8.84	12.50	15.31	19.76	23.39	27.95	Weight (Metals) = XX gms. Approx			
CG22.160		●			4.9	8.00	11.31	16.00	19.60	25.30	29.93	35.78	1/2"	80	13.2	22
CG22.180			●		5.2	9.00	12.73	18.00	22.05	28.46	33.67	40.25	Weight (Metals) = XX gms. Approx			
CG22.200			●		5.5	10.00	14.14	20.00	24.49	31.62	37.42	44.72	3/4"	102	14.5	27
CG22.250			●		6.1	12.50	17.68	25.00	30.62	39.53	46.77	55.90	Weight (Metals) = XX gms. Approx			
CG22.320			●	●	6.4	16.00	22.63	32.00	39.19	50.60	59.87	71.55				
CG22.400				●	7.8	20.00	28.28	40.00	48.99	63.25	74.83	89.44				
CG22.520				●	8.9	26.00	36.77	52.00	63.69	82.22	97.28	116.28				
CG22.650				●	9.9	32.50	45.96	65.00	79.61	102.77	121.60	145.34				

CG Series High Impact Flat Spray Nozzles

45° SPRAY ANGLE η 25°	CONNECTION END				ORIFICE SIZE (mm)	FLOW CAPACITY IN LPM AT DIFFERENT PRESSURE								G/A DIMENSION. MM			
	1/4"	3/8"	1/2"	3/4"		PRESSURE [BAR]											
MODEL NO. 	BSP BSPT NPT	BSP BSPT NPT	BSP BSPT NPT	BSP BSPT NPT		0.5	1.0	2.0	3.0	5.0	7.0	10.0	CONN.	H	H1	HEX	
CG13.350	●				2.3	1.75	2.47	3.50	4.29	5.53	6.55	7.83	1/4"	42	10	17	
CG13.650	●				3.1	3.25	4.60	6.50	7.96	10.28	12.16	14.53	Weight (Metals) = XX gms. Approx				
CG23.100		●			3.9	5.00	7.07	10.0	12.25	15.81	18.71	22.36	3/8"	50	10	17	
CG23.125		●			4.3	6.25	8.84	12.50	15.31	19.76	23.39	27.95	Weight (Metals) = XX gms. Approx				
CG23.160		●			4.9	8.00	11.31	16.00	19.60	25.30	29.93	35.78	1/2"	60	13.2	22	
CG23.180			●		5.2	9.00	12.73	18.00	22.05	28.46	33.67	40.25	Weight (Metals) = XX gms. Approx				
CG23.200			●		5.5	10.00	14.14	20.00	24.49	31.62	37.42	44.72	3/4"	70	14.5	27	
CG23.250			●		6.1	12.50	17.68	25.00	30.62	39.53	46.77	55.90	Weight (Metals) = XX gms. Approx				
CG23.320			●	●	6.4	16.00	22.63	32.00	39.19	50.60	59.87	71.55					
CG23.400				●	7.8	20.00	28.28	40.00	48.99	63.25	74.83	89.44					
CG23.520				●	8.9	26.00	36.77	52.00	63.69	82.22	97.28	116.28					
CG23.650				●	9.9	32.50	45.96	65.00	79.61	102.77	121.60	145.34					

60° SPRAY ANGLE η 40°	CONNECTION END				ORIFICE SIZE (mm)	FLOW CAPACITY IN LPM AT DIFFERENT PRESSURE								G/A DIMENSION. MM			
	1/4"	3/8"	1/2"	3/4"		PRESSURE [BAR]											
MODEL NO. 	BSP BSPT NPT	BSP BSPT NPT	BSP BSPT NPT	BSP BSPT NPT		0.5	1.0	2.0	3.0	5.0	7.0	10.0	CONN.	H	H1	HEX	
CG14.350	●				2.3	1.75	2.47	3.50	4.29	5.53	6.55	7.83	1/4"	42	10	17	
CG14.650	●				3.1	3.25	4.60	6.50	7.96	10.28	12.16	14.53	Weight (Metals) = XX gms. Approx				
CG24.100		●			3.9	5.00	7.07	10.0	12.25	15.81	18.71	22.36	3/8"	50	10	17	
CG24.125		●			4.3	6.25	8.84	12.50	15.31	19.76	23.39	27.95	Weight (Metals) = XX gms. Approx				
CG24.160		●			4.9	8.00	11.31	16.00	19.60	25.30	29.93	35.78	1/2"	60	13.2	22	
CG24.180			●		5.2	9.00	12.73	18.00	22.05	28.46	33.67	40.25	Weight (Metals) = XX gms. Approx				
CG24.200			●		5.5	10.00	14.14	20.00	24.49	31.62	37.42	44.72	3/4"	70	14.5	27	
CG24.250			●		6.1	12.50	17.68	25.00	30.62	39.53	46.77	55.90	Weight (Metals) = XX gms. Approx				
CG24.320			●	●	6.4	16.00	22.63	32.00	39.19	50.60	59.87	71.55					
CG24.400				●	7.8	20.00	28.28	40.00	48.99	63.25	74.83	89.44					
CG24.520				●	8.9	26.00	36.77	52.00	63.69	82.22	97.28	116.28					
CG24.650				●	9.9	32.50	45.96	65.00	79.61	102.77	121.60	145.34					