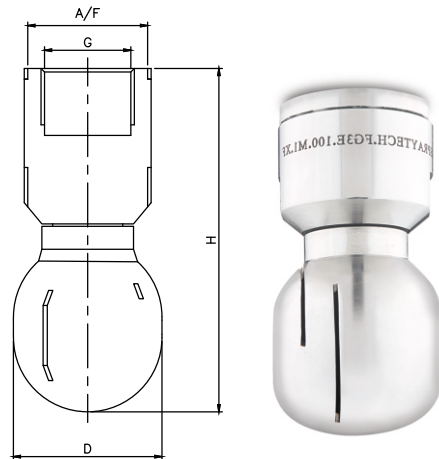


EG Slotted Spray Ball Stainless Steel Versions

EG

EG Series Slotted spray ball series are available with different connection design that it is a female thread and clip-on connection as standard. Weld-on or tri-clamp connection on request. The simple design high quality construction and having a good efficiency and applicable for general purpose application and it is available in coverage of 270° up and down and 360°.



Coverage Type	Spray Angle
	270°
	270°
	360°

MODEL NO.	SPRAY ANGLE	CONNECTION								FLOW CAPACITY IN LPM AT DIFFERENT PRESSURE					G/A DIMENSION. MM		
										PRESSURE [BAR]							
		1/8"	1/4"	3/8"	1/2"	3/4"	1"	1 1/4"	1.5	2	3	5	7	CONN.	H	D	
EG2.100	C/D/E	●							8.66	10.00	12.25	15.81	18.71	1/8"	37	17	
EG2.150	C/D/E	●	●	●					12.99	15.00	18.37	23.72	28.06	1/4"	48	21.5	
EG2.200	C/D/E	●	●	●					17.32	20.00	24.49	31.62	37.42	Weight (Metals) = XX gms. Approx			
EG2.250	C/D/E			●	●				21.65	25.00	30.62	39.53	46.77	3/8"	60	27	
EG2.300	C/D/E			●	●				25.98	30.00	36.74	47.43	56.12	Weight (Metals) = XX gms. Approx			
EG2.350	C/D/E			●	●				30.31	35.00	42.87	55.34	65.48	1/2"	77	33	
EG2.400	C/D/E			●	●	●			34.64	40.00	48.99	63.25	74.83	Weight (Metals) = XX gms. Approx			
EG2.520	C/D/E				●	●			45.03	52.00	63.69	82.22	97.28	3/4"	98	41	
EG2.600	C/D/E					●			51.96	60.00	73.48	94.87	112.25	Weight (Metals) = XX gms. Approx			
EG2.700	C/D/E					●			60.62	70.00	85.73	110.68	130.96	1"	104	47.5	
EG2.800	C/D/E					●	●		69.28	80.00	97.98	126.49	149.67	Weight (Metals) = XX gms. Approx			
EG2.900	C/D/E					●	●		77.94	90.00	110.23	142.30	168.37	1 1/4"	119	58	
EG3.100	C/D/E						●	●	86.60	100.0	122.11	158.11	187.08	Weight (Metals) = XX gms. Approx			
EG3.110	C/D/E						●	●	95.26	110.0	134.72	173.93	205.79				
EG3.120	C/D/E						●	●	103.92	120.0	149.97	189.74	224.50				
EG3.130	C/D/E						●	●	112.98	130.0	159.22	205.55	243.21				
EG3.140	C/D/E						●	●	121.24	140.0	171.46	221.36	261.92				
EG3.150	C/D/E						●	●	129.90	150.0	183.71	237.17	280.62				
EG3.160	C/D/E						●	●	138.56	160.0	195.96	252.98	299.33				
EG3.170	C/D/E						●	●	147.22	170.0	208.21	268.79	318.04				
EG3.180	C/D/E						●	●	155.88	180.0	220.45	284.60	336.75				
EG3.190	C/D/E						●	●	164.54	190.0	232.70	300.42	355.46				
EG3.200	C/D/E						●	●	173.21	200.0	244.95	316.23	374.17				

End Connection : X – BSP, Y - BSPT, Z – NPT Available.

Male Connection On Request