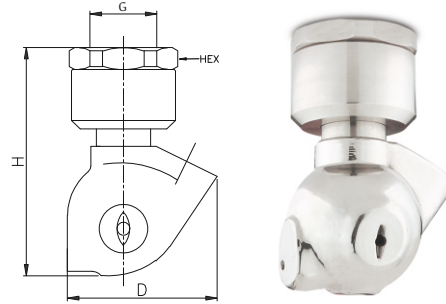


Suited for CIP systems. No motor source is needed due to the reaction force of the cleaning liquid to rotate spray head. Low pressure for cleaning and rinsing application. For rinsing small and medium sized vessels for example dairy, chemical, pharmaceutical and food industries.



Male Connection On Request

Coverage Type	Spray Angle
	270°
	270°
	360°

End Connection :
 X – BSP,
 Y - BSPT,
 Z – NPT Available.

MODEL NO.	SPRAY ANGLE	CONNECTION	FLOW CAPACITY IN LPM AT DIFFERENT PRESSURE					G/A DIMENSION. MM		
			PRESSURE [BAR]					CONN.	H	D
			1.5	2	3	5	7			
		3/4"								
ED2.320	C/D/E	●	27.71	32.00	39.19	50.60	59.87	3/4"	100	70
ED2.520	C/D/E	●	45.03	52.00	63.69	82.22	97.28	Weight (Metals) = 95.0 gms. Approx		
ED2.720	C/D/E	●	62.35	72.00	88.18	113.84	134.70			
ED2.950	C/D/E	●	82.27	95.00	116.35	150.21	177.73			
ED3.120	C/D/E	●	103.92	120.0	146.97	189.74	224.50			
ED2.140	C/D/E	●	121.24	140.0	171.46	221.36	261.92			
ED3.160	C/D/E	●	138.56	160.0	195.96	252.98	299.33			