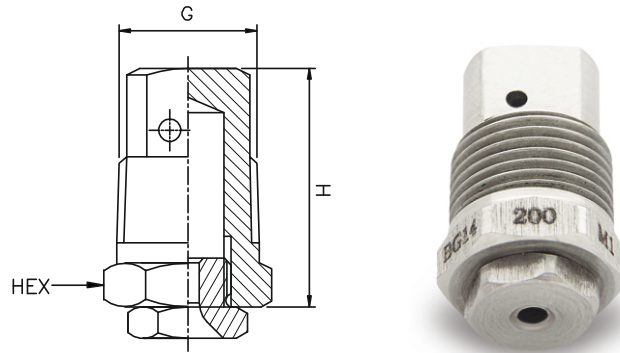


BG Series Inline Entry Hollow Cone Spray Nozzles

BG



Inline Entry Hollow Cone Spray pattern with uniform distribution of finely atomized droplets. Smaller droplets in spray pattern than full cone nozzles of the same capacity at similar pressures.

Design : One piece in-line body with removable orifice tip, two piece construction

Application : Gas Cooling & Cleaning, Spray drying, Desuperheating, Water Cooling, Fugitive Dust suppression.

60° SPRAY ANGLE	END CONNECTION (G)			INLET DIA. NOM. (mm)	ORIFICE SIZE (mm)	FLOW CAPACITY IN LPM AT DIFFERENT PRESSURE							G/A DIMENSION. MM		
	1/4"	3/8"	1/2"			PRESSURE [BAR]									
MODEL NO.	BSP BSPT NPT	BSP BSPT NPT	BSP BSPT NPT			0.5	1.0	2.0	3.0	5.0	7.0	10.0	CONN.	H	HEX
BG14.050	●			1.2	1.1	0.25	0.35	0.50	0.61	0.79	0.94	1.12	1/4"	28.5	14
BG14.075	●			1.4	1.3	0.37	0.53	0.75	0.92	1.19	1.40	1.68	Weight (Metals) = 20.9 gms. Approx		
BG14.100	●			1.7	1.6	0.5	0.71	1.00	1.22	1.58	1.87	2.24	3/8"	30	17
BG14.150	●	●		2.1	2.0	0.75	1.06	1.50	1.84	2.37	2.81	3.35	Weight (Metals) = 33.3 gms. Approx		
BG14.175	●	●		2.2	2.1	0.87	1.24	1.75	2.14	2.77	3.27	3.91	1/2"	37.5	22
BG14.200	●	●		2.4	2.3	1.00	1.41	2.00	2.45	3.16	3.74	4.47	Weight (Metals) = 60.1 gms. Approx		
BG14.250	●	●		2.7	2.5	1.25	1.77	2.50	3.06	3.95	4.68	5.59			
BG14.300		●		2.9	2.8	1.50	2.12	3.00	3.67	4.74	5.61	6.71			
BG14.350		●		3.2	3.0	1.75	2.47	3.50	4.29	5.53	6.55	7.83			
BG14.400		●		3.4	3.2	2.00	2.83	4.00	4.90	6.32	7.48	8.94			
BG14.475		●		3.7	3.5	2.37	3.36	4.75	5.82	7.51	8.89	10.62			
BG14.650		●	●	4.3	4.1	3.25	4.60	6.50	7.96	10.28	12.16	14.53			
BG14.800		●	●	4.8	4.5	4.00	5.66	8.00	9.80	12.65	14.97	17.89			
BG24.100			●	5.4	5.1	5.00	7.07	10.00	12.25	15.81	18.71	22.36			
BG24.125			●	6.0	5.7	6.25	8.84	12.50	15.31	19.76	23.39	27.95			
BG24.160			●	6.8	6.4	8.00	11.31	16.00	19.60	25.30	29.93	35.78			
BG24.180			●	7.2	6.8	9.00	12.73	18.00	22.05	28.46	33.67	40.25			

End Connection : X – BSP, Y - BSPT, Z – NPT Available.

BG Series Inline Entry Hollow Cone Spray Nozzles

BG

90° SPRAY ANGLE	END CONNECTION (G)					INLET DIA. NOM. (mm)	ORIFICE SIZE (mm)	FLOW CAPACITY IN LPM AT DIFFERENT PRESSURE							G/A DIMENSION. MM		
	1/4"	3/8"	1/2"	3/4"	1 1/2"			PRESSURE [BAR]									
MODEL NO.	BSP	BSP	BSP	BSP	BSP			0.5	1.0	2.0	3.0	5.0	7.0	10.0	CONN.	H	HEX
BG16.050	●					1.2	1.1	0.25	0.35	0.50	0.61	0.79	0.94	1.12	1/4"	28.5	14
BG16.075	●					1.4	1.3	0.37	0.53	0.75	0.92	1.19	1.40	1.68	Weight (Metals) = XX gms. Approx		
BG16.100	●					1.7	1.6	0.5	0.71	1.00	1.22	1.58	1.87	2.24	3/8"	30.5	17
BG16.150	●	●				2.1	2.0	0.75	1.06	1.50	1.84	2.37	2.81	3.35	Weight (Metals) = XX gms. Approx		
BG16.175	●	●				2.2	2.1	0.875	1.24	1.75	2.14	2.77	3.27	3.91	1/2"	37.5	22
BG16.200	●	●				2.4	2.3	1.00	1.41	2.00	2.45	3.16	3.74	4.47	Weight (Metals) = XX gms. Approx		
BG16.250	●	●				2.7	2.5	1.25	1.77	2.50	3.06	3.95	4.68	5.59	3/4"	44.5	27
BG16.300		●		●		2.9	2.8	1.50	2.12	3.00	3.67	4.74	5.61	6.71	Weight (Metals) = XX gms. Approx		
BG16.350		●		●		3.2	3.0	1.75	2.47	3.50	4.29	5.53	6.55	7.83	1 1/2"	68	48
BG16.400		●		●		3.4	3.2	2.00	2.83	4.00	4.90	6.32	7.48	8.94	Weight (Metals) = XX gms. Approx		
BG16.475		●		●		3.7	3.5	2.37	3.36	4.75	5.82	7.51	8.89	10.62			
BG16.650		●	●	●		4.3	4.1	3.25	4.60	6.50	7.96	10.28	12.16	14.53			
BG16.800			●	●		4.8	4.5	4.00	5.66	8.00	9.80	12.65	14.97	17.89			
BG26.100			●	●		5.4	5.1	5.00	7.07	10.00	12.25	15.81	18.71	22.36			
BG26.125			●	●		6.0	5.7	6.25	8.84	12.50	15.31	19.76	23.39	27.95			
BG26.160			●	●		6.8	6.4	8.00	11.31	16.00	19.60	25.30	29.93	35.78			
BG26.180			●	●		7.2	6.8	9.00	12.73	18.00	22.05	28.46	33.67	40.25			
BG26.200				●		7.6	7.2	10.00	14.14	20.00	24.49	31.62	37.42	44.72			
BG26.225				●		8.1	7.6	11.25	15.91	22.50	27.56	35.58	42.09	50.31			
BG26.250				●	●	8.5	8.0	12.5	17.68	25.00	30.62	39.53	46.77	55.90			
BG26.320				●	●	9.6	9.1	16.00	22.63	32.00	39.19	50.60	59.87	71.55			

120° SPRAY ANGLE	END CONNECTION (G)					INLET DIA. NOM. (mm)	ORIFICE SIZE (mm)	FLOW CAPACITY IN LPM AT DIFFERENT PRESSURE							G/A DIMENSION. MM		
	1/4"	3/8"	1/2"	3/4"	1 1/2"			PRESSURE [BAR]									
MODEL NO.	BSP	BSP	BSP	BSP	BSP			0.5	1.0	2.0	3.0	5.0	7.0	10.0	CONN.	H	HEX
BG18.050	●					1.2	1.1	0.25	0.35	0.50	0.61	0.79	0.94	1.12	1/4"	28.5	14
BG18.075	●					1.4	1.3	0.37	0.53	0.75	0.92	1.19	1.40	1.68	Weight (Metals) = XX gms. Approx		
BG18.100	●					1.7	1.6	0.5	0.71	1.00	1.22	1.58	1.87	2.24	3/8"	30.5	17
BG18.150	●	●				2.1	2.0	0.75	1.06	1.50	1.84	2.37	2.81	3.35	Weight (Metals) = XX gms. Approx		
BG18.175	●	●				2.2	2.1	0.875	1.24	1.75	2.14	2.77	3.27	3.91	1/2"	37.5	22
BG18.200	●	●				2.4	2.3	1.00	1.41	2.00	2.45	3.16	3.74	4.47	Weight (Metals) = XX gms. Approx		
BG18.250	●	●				2.7	2.5	1.25	1.77	2.50	3.06	3.95	4.68	5.59	3/4"	44.5	27
BG18.300		●		●		2.9	2.8	1.50	2.12	3.00	3.67	4.74	5.61	6.71	Weight (Metals) = XX gms. Approx		
BG18.350		●		●		3.2	3.0	1.75	2.47	3.50	4.29	5.53	6.55	7.83	1 1/2"	68	48
BG18.400		●		●		3.4	3.2	2.00	2.83	4.00	4.90	6.32	7.48	8.94	Weight (Metals) = 595 gms. Approx		
BG18.475		●		●		3.7	3.5	2.37	3.36	4.75	5.82	7.51	8.89	10.62			
BG18.650		●	●	●		4.3	4.1	3.25	4.60	6.50	7.96	10.28	12.16	14.53			
BG18.800			●	●		4.8	4.5	4.00	5.66	8.00	9.80	12.65	14.97	17.89			
BG28.100			●	●		5.4	5.1	5.00	7.07	10.00	12.25	15.81	18.71	22.36			
BG28.125			●	●		6.0	5.7	6.25	8.84	12.50	15.31	19.76	23.39	27.95			
BG28.160			●	●		6.8	6.4	8.00	11.31	16.00	19.60	25.30	29.93	35.78			
BG28.180			●	●		7.2	6.8	9.00	12.73	18.00	22.05	28.46	33.67	40.25			
BG28.200				●		7.6	7.2	10.00	14.14	20.00	24.49	31.62	37.42	44.72			
BG28.225				●		8.1	7.6	11.25	15.91	22.50	27.56	35.58	42.09	50.31			
BG28.250				●	●	8.5	8.0	12.5	17.68	25.00	30.62	39.53	46.77	55.90			
BG28.320				●	●	9.6	9.1	16.00	22.63	32.00	39.19	50.60	59.87	71.55			
BG28.400				●		10.8	10.1	20.00	28.28	40.00	48.99	63.60	74.83	89.44			
BG28.520				●		12.3	11.5	26.00	36.77	52.00	63.69	82.22	97.28	116.28			
BG28.650				●		13.71	12.9	32.5	45.96	65.00	79.61	102.77	121.60	145.34			
BG28.800				●		15.2	14.3	40.00	56.57	80.00	97.98	126.49	149.67	178.89			

End Connection : X – BSP, Y - BSPT, Z – NPT Available.