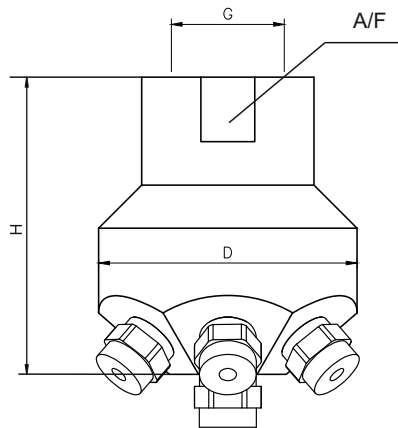


DH Series Multiple Full Cone Spray Nozzles

DH

Application :

- Gas Scrubbing
- Gas Cooling
- Dust Control
- Tank Rinsing
- Humidifying Applications



Multiple Full Cone Nozzles

The nozzle assembly consists of a nozzle body and seven removable atomizing spray caps. Each cap has an internal core which is easily removed for cleaning or replacement. The nozzle provides large flow capacities with relatively small drops.

Characteristic :

With the aid of multiple fine full cone nozzles it gives large full cone with small droplets.

130° SPRAY ANGLE	CONNECTION END			ORIFICE SIZE (mm)	FLOW CAPACITY IN LPM AT DIFFERENT PRESSURE							G/A DIMENSION. MM			
	3/4"	1"	1 1/2"		PRESSURE [BAR]							CONN.	H	D	A/F
MODEL NO.	BSP BSPT NPT	BSP BSPT NPT	BSP BSPT NPT		0.5	1.0	2.0	3.0	5.0	7.0	10.0				
DH29.125	●			2.5	6.25	8.84	12.50	15.31	19.76	23.39	27.95	3/4"	44	60	50
DH29.160	●			2.8	8.00	11.31	16.00	19.60	25.30	29.93	35.78	Weight (Metals) = 700 gms. Approx			
DH29.200	●			3.2	10.00	14.14	20.00	24.49	31.62	37.42	44.72	1"	50	60	50
DH29.225	●			3.4	11.25	15.91	22.50	27.56	35.58	42.09	50.31	Weight (Metals) = XXX gms. Approx			
DH29.250	●			3.5	12.50	17.68	25.00	30.62	39.53	46.77	55.90	1 1/2"	65	90	80
DH29.320	●			4.0	16.00	22.63	32.00	39.19	50.60	59.87	71.55	Weight (Metals) = XXX gms. Approx			
DH29.400	●			4.5	20.00	28.28	40.00	48.99	63.25	74.83	89.44				
DH29.520	●			5.1	26.00	36.77	52.00	63.69	82.22	97.28	116.28				
DH29.650	●			5.7	32.50	45.96	65.00	79.61	102.77	121.60	145.34				
DH29.800		●		6.3	40.00	56.57	80.00	97.98	126.49	149.67	178.89				
DH39.100		●		7.1	50.00	70.71	100.0	122.47	158.11	187.08	223.61				
DH39.118		●		7.7	59.00	83.44	118.0	144.52	186.57	220.76	263.86				
DH39.130		●	●	8.1	65.00	91.92	130.0	159.22	205.55	243.21	290.69				
DH39.160			●	8.9	80.00	113.14	160.0	195.96	252.98	299.33	357.77				
DH39.200			●	10.0	100.0	141.42	200.0	244.95	316.23	374.17	447.21				
DH39.227			●	10.7	113.5	160.51	227.0	278.02	358.92	424.68	507.59				