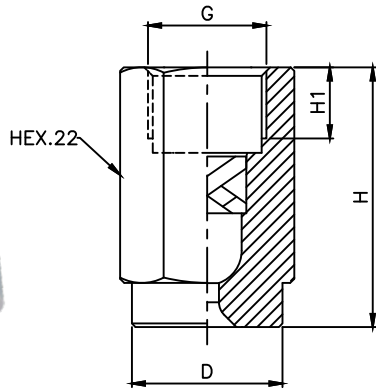


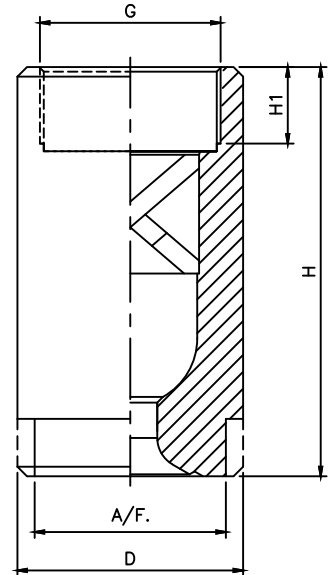
DB Series Full Cone Spray Nozzles

DB

(Female)



Design for 1/8", 1/4", 3/8" & 1/2"



Design for 3/4" & 2"

MODEL NO.	CONNECTION END										FLOW CAPACITY IN LPM AT DIFFERENT PRESSURE							G/A DIMENSION. MM					
											PRESSURE [BAR]												
	SPRAY ANGLE		1/8"	1/4"	3/8"	1/2"	3/4"	1"	1 1/4"	1 1/2"	2"	ORIFICE SIZE (mm)	0.5	1.0	2.0	3.0	5.0	7.0	10.0	CONN.	H	H1	D
15°	30°	BSP	BSP	BSP	BSP	BSP	BSP	BSP	BSP	BSP													
DB11.100	DB12.100	●									1.2	0.50	0.71	1.00	1.22	1.58	1.87	2.24	1/8"	26.5	6.5	13.2	14
DB11.150	DB12.150	●									1.5	0.75	1.06	1.50	1.84	2.37	2.81	3.35	Weight (Metals) = XX gms. Approx				
DB11.175	DB12.175	●									1.6	0.87	1.24	1.75	2.14	2.77	3.27	3.91	1/4"	34	10	15.2	16
DB11.200	DB12.200	●									1.7	1.00	1.41	2.00	2.45	3.16	3.74	4.47	Weight (Metals) = 38 gms. Approx				
DB11.250	DB12.250	●									1.9	1.25	1.77	2.50	3.06	3.95	4.68	5.59	3/8"	36.5	10	21.2	22
DB11.300	DB12.300	●									2.0	1.50	2.12	3.00	3.67	4.74	5.61	6.71	Weight (Metals) = 90 gms. Approx				
DB11.350	DB12.350	●									2.3	1.75	2.47	3.50	4.29	5.53	6.55	7.83	1/2"	48.5	14	26.2	27
DB11.400	DB12.400	●									2.5	2.00	2.83	4.00	4.90	6.32	7.48	8.94	Weight (Metals) = 176 gms. Approx				
DB11.475	DB12.475	●	●								2.7	2.37	3.36	4.75	5.82	7.51	8.89	10.62	3/4"	58	14	31.5	27
DB11.650	DB12.650		●	●							3.1	3.25	4.60	6.50	7.96	10.28	12.16	14.53	Weight (Metals) = 230 gms. Approx				
DB11.800	DB12.800		●	●							3.5	4.00	5.66	8.00	9.80	12.65	14.97	17.89	1"	76	18	39.5	36
DB21.100	DB22.100		●	●	●						3.9	5.00	7.07	10.00	12.25	15.81	18.71	22.36	Weight (Metals) = 470 gms. Approx				
DB21.125	DB22.125			●	●						4.3	6.25	8.84	12.50	15.31	19.76	23.39	27.95	1 1/4"	96	20	49	41
DB21.160	DB22.160			●	●	●					4.9	8.00	11.31	16.00	19.60	25.30	29.93	35.78	Weight (Metals) = 678 gms. Approx				
DB21.180	DB22.180				●	●					5.2	9.00	12.73	18.00	22.05	28.46	33.67	40.25	1 1/2"	107	20	59	50
DB21.200	DB22.200				●	●	●				5.5	10.00	14.14	20.00	24.49	31.62	37.42	44.72	Weight (Metals) = 1176 gms. Approx				
DB21.225	DB22.225				●	●	●				5.8	11.25	15.91	22.50	27.56	35.58	42.09	50.31	2"	130	22	68	60
DB21.250	DB22.250					●	●	●			6.1	12.50	17.68	25.00	30.62	39.53	46.77	55.90	Weight (Metals) = 2410 gms. Approx				
DB21.320	DB22.320						●	●			6.9	16.00	22.63	32.00	39.19	50.60	59.87	71.55					
DB21.400	DB22.400						●	●			7.7	20.00	28.28	40.00	48.99	63.25	74.83	89.44					
DB21.520	DB22.520						●	●			8.8	26.00	36.77	52.00	63.69	82.22	97.28	116.28					
DB21.650	DB22.650							●	●		9.9	32.50	45.96	65.00	79.61	102.77	121.60	145.34					
DB21.720	DB22.720							●	●		10.4	36.00	50.91	72.00	88.18	113.8	134.7	161.00					
DB21.800	DB22.800							●	●		11.5	40.00	56.57	80.00	97.98	126.49	149.67	178.89					
DB31.100	DB32.100							●	●		12.9	50.00	70.71	100.0	122.47	158.11	187.08	223.61					
DB31.118	DB32.118							●	●		14.0	59.00	83.44	118.0	144.52	186.57	220.76	263.86					
DB31.130	DB32.130							●	●		14.7	65.00	91.92	130.0	159.22	205.55	243.21	290.69					
DB31.160	DB32.160							●	●		16.3	80.00	113.14	160.0	195.96	252.98	299.33	357.77					
DB31.200	DB32.200							●	●		18.2	100	141.42	200.0	244.95	316.23	374.17	447.21					
DB31.227	DB32.227							●	●		19.4	113.5	160.51	227.0	278.02	358.92	424.68	507.59					
DB31.250	DB32.250							●	●		20.4	125	176.78	250.0	306.19	395.19	467.71	559.02					
DB31.337	DB32.337							●	●		23.7	168.5	238.29	337.0	412.74	532.84	630.47	753.55					

End Connection : X – BSP, Y – BSPT, Z – NPT Available.

DB Series Full Cone Spray Nozzles

(Female)

45° SPRAY ANGLE	CONNECTION END						ORIFICE SIZE (mm)	FLOW CAPACITY IN LPM AT DIFFERENT PRESSURE							G/A DIMENSION. MM				
	1/8"	1/4"	3/8"	1/2"	3/4"	1"		PRESSURE [BAR]											
MODEL NO.	BSP	BSP	BSP	BSP	BSP	BSP	0.5	1.0	2.0	3.0	5.0	7.0	10.0	CONN.	H	H1	D	HEX	
DB13.100	●						1.2	0.50	0.71	1.00	1.22	1.58	1.87	2.24	1/8"	26.5	6.5	13.2	14
DB13.150	●						1.5	0.75	1.06	1.50	1.84	2.37	2.81	3.35	Weight (Metals) = xx gms. Approx				
DB13.175	●						1.6	0.87	1.24	1.75	2.14	2.77	3.27	3.91	1/4"	34	10	15.2	16
DB13.200	●						1.7	1.00	1.41	2.00	2.45	3.16	3.74	4.47	Weight (Metals) = 38 gms. Approx				
DB13.250	●	●					1.9	1.25	1.77	2.50	3.06	3.95	4.68	5.59	3/8"	36.5	10	21.2	22
DB13.300		●					2.0	1.50	2.12	3.00	3.67	4.74	5.61	6.71	Weight (Metals) = 90 gms. Approx				
DB13.350		●	●				2.2	1.75	2.47	3.50	4.29	5.53	6.55	7.83	1/2"	48.5	14	26.2	27
DB13.400		●	●				2.4	2.00	2.83	4.00	4.90	6.32	7.48	8.94	Weight (Metals) = 176 gms. Approx				
DB13.475		●	●				2.6	2.37	3.36	4.75	5.82	7.51	8.89	10.62	3/4"	58	14	31.5	27
DB13.650			●	●			3.1	3.25	4.60	6.50	7.96	10.28	12.16	14.53	Weight (Metals) = 230 gms. Approx				
DB13.800				●			3.4	4.00	5.66	8.00	9.80	12.65	14.97	17.89	1"	76	18	39.5	36
DB23.100				●			3.8	5.00	7.07	10.00	12.25	15.81	18.71	22.36	Weight (Metals) = 470 gms. Approx				
DB23.125				●	●		4.2	6.25	8.84	12.50	15.31	19.76	23.39	27.95					
DB23.160				●	●		4.8	8.00	11.31	16.00	19.60	25.30	29.93	35.78					
DB23.180				●	●		5.2	9.00	12.73	18.00	22.05	28.46	33.67	40.25					
DB23.200				●	●		5.4	10.00	14.14	20.00	24.49	31.62	37.42	44.72					
DB23.225					●		5.7	11.25	15.91	22.50	27.56	35.58	42.09	50.31					
DB23.250					●		6.0	12.50	17.68	25.00	30.62	39.53	46.77	55.90					
DB23.320					●		6.8	16.00	22.63	32.00	39.19	50.60	59.87	71.55					

60° SPRAY ANGLE	CONNECTION END						ORIFICE SIZE (mm)	FLOW CAPACITY IN LPM AT DIFFERENT PRESSURE							G/A DIMENSION. MM				
	1/8"	1/4"	3/8"	1/2"	3/4"	1"		PRESSURE [BAR]											
MODEL NO.	BSP	BSP	BSP	BSP	BSP	BSP	0.5	1.0	2.0	3.0	5.0	7.0	10.0	CONN.	H	H1	D	HEX	
DB14.100	●						1.1	0.50	0.71	1.00	1.22	1.58	1.87	2.24	1/8"	26.5	6.5	13.2	14
DB14.150	●						1.4	0.75	1.06	1.50	1.84	2.37	2.81	3.35	Weight (Metals) = xx gms. Approx				
DB14.175	●						1.5	0.87	1.24	1.75	2.14	2.77	3.27	3.91	1/4"	34	10	15.2	16
DB14.200	●						1.6	1.00	1.41	2.00	2.45	3.16	3.74	4.47	Weight (Metals) = 38 gms. Approx				
DB14.250	●						1.8	1.25	1.77	2.50	3.06	3.95	4.68	5.59	3/8"	36.5	10	21.2	22
DB14.300	●						2.0	1.50	2.12	3.00	3.67	4.74	5.61	6.71	Weight (Metals) = 90 gms. Approx				
DB14.350	●	●					2.1	1.75	2.47	3.50	4.29	5.53	6.55	7.83	1/2"	48.5	14	26.2	27
DB14.400		●	●				2.3	2.00	2.83	4.00	4.90	6.32	7.48	8.94	Weight (Metals) = 176 gms. Approx				
DB14.475		●	●				2.5	2.37	3.36	4.75	5.82	7.51	8.89	10.62	3/4"	58	14	31.5	27
DB14.650		●	●				2.9	3.25	4.60	6.50	7.96	10.28	12.16	14.53	Weight (Metals) = 230 gms. Approx				
DB14.800			●				3.25	4.00	5.66	8.00	9.80	12.65	14.97	17.89	1"	76	18	39.5	36
DB24.100			●				3.6	5.00	7.07	10.00	12.25	15.81	18.71	22.36	Weight (Metals) = 470 gms. Approx				
DB24.125				●			4.1	6.25	8.84	12.50	15.31	19.76	23.39	27.95					
DB24.160				●			4.6	8.00	11.31	16.00	19.60	25.30	29.93	35.78					
DB24.180				●			4.9	9.00	12.73	18.00	22.05	28.46	33.67	40.25					
DB24.200					●		5.1	10.00	14.14	20.00	24.49	31.62	37.42	44.72					
DB24.225					●		5.5	11.25	15.91	22.50	27.56	35.58	42.09	50.31					
DB24.250					●		5.8	12.50	17.68	25.00	30.62	39.53	46.77	55.90					
DB24.320					●		6.5	16.00	22.63	32.00	39.19	50.60	59.87	71.55					
DB24.400					●		7.3	20.00	28.28	40.00	48.99	63.25	74.83	89.44					
DB24.520					●		8.3	26.00	36.77	52.00	63.69	82.22	97.28	116.28					

End Connection : X – BSP, Y - BSPT, Z – NPT Available.

DB Series Full Cone Spray Nozzles

(Female)

90° SPRAY ANGLE	CONNECTION END						ORIFICE SIZE (mm)	FLOW CAPACITY IN LPM AT DIFFERENT PRESSURE							G/A DIMENSION. MM				
	1/8"	1/4"	3/8"	1/2"	3/4"	1"		PRESSURE [BAR]							CONN.	H	H1	D	HEX
MODEL NO.	BSP	BSP	BSP	BSP	BSP	BSP	0.5	1.0	2.0	3.0	5.0	7.0	10.0	1/8"	26.5	6.5	13.2	14	
DB16.100	●						1.2	0.50	0.71	1.00	1.22	1.58	1.87	2.24	Weight (Metals) = xx gms. Approx				
DB16.150	●						1.4	0.75	1.06	1.50	1.84	2.37	2.81	3.35	Weight (Metals) = xx gms. Approx				
DB16.175	●						1.5	0.87	1.24	1.75	2.14	2.77	3.27	3.91	1/4"	34	10	15.2	16
DB16.200	●						1.6	1.00	1.41	2.00	2.45	3.16	3.74	4.47	Weight (Metals) = 38 gms. Approx				
DB16.250	●						1.8	1.25	1.77	2.50	3.06	3.95	4.68	5.59	3/8"	36.5	10	21.2	22
DB16.300	●						2.0	1.50	2.12	3.00	3.67	4.74	5.61	6.71	Weight (Metals) = 90 gms. Approx				
DB16.350	●	●	●				2.2	1.75	2.47	3.50	4.29	5.53	6.55	7.83	1/2"	48.5	14	26.2	27
DB16.400	●	●	●				2.3	2.00	2.83	4.00	4.90	6.32	7.48	8.94	Weight (Metals) = 176 gms. Approx				
DB16.475	●	●	●				2.5	2.37	3.36	4.75	5.82	7.51	8.89	10.62	3/4"	58	14	31.5	27
DB16.650	●	●	●				2.9	3.25	4.60	6.50	7.96	10.28	12.16	14.53	Weight (Metals) = 230 gms. Approx				
DB16.800	●	●	●				3.3	4.00	5.66	8.00	9.80	12.65	14.97	17.89	1"	76	18	39.5	36
DB26.100			●				3.6	5.00	7.07	10.00	12.25	15.81	18.71	22.36	Weight (Metals) = 470 gms. Approx				
DB26.125			●				4.1	6.25	8.84	12.50	15.31	19.76	23.39	27.95					
DB26.160			●	●			4.6	8.00	11.31	16.00	19.60	25.30	29.93	35.78					
DB26.180				●			4.9	9.00	12.73	18.00	22.05	28.46	33.67	40.25					
DB26.200				●			5.2	10.00	14.14	20.00	24.49	31.62	37.42	44.72					
DB26.225				●			5.5	11.25	15.91	22.50	27.56	35.58	42.09	50.31					
DB26.250				●	●		5.8	12.50	17.68	25.00	30.62	39.53	46.77	55.90					
DB26.320				●	●		6.5	16.00	22.63	32.00	39.19	50.60	59.87	71.55					
DB26.400					●		7.3	20.00	28.28	40.00	48.99	63.25	74.83	89.44					
DB26.520					●	●	8.3	26.00	36.77	52.00	63.69	82.22	97.28	116.28					
DB26.650						●	9.3	32.50	45.96	65.00	79.61	102.77	121.60	145.34					
DB26.720						●	9.8	36.00	50.91	72.00	88.18	113.8	134.7	161.0					

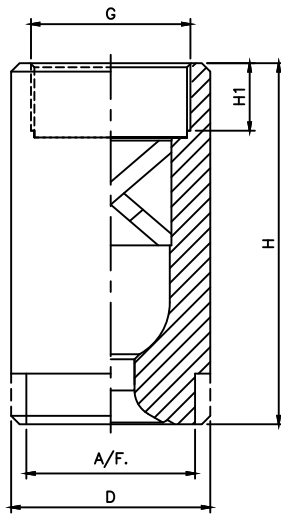
120° SPRAY ANGLE	CONNECTION END						ORIFICE SIZE (mm)	FLOW CAPACITY IN LPM AT DIFFERENT PRESSURE							G/A DIMENSION. MM				
	1/8"	1/4"	3/8"	1/2"	3/4"	1"		PRESSURE [BAR]							CONN.	H	H1	D	HEX
MODEL NO.	BSP	BSP	BSP	BSP	BSP	BSP	0.5	1.0	2.0	3.0	5.0	7.0	10.0	1/8"	26.5	6.5	13.2	14	
DB18.100	●						1.2	0.50	0.71	1.00	1.22	1.58	1.87	2.24	Weight (Metals) = xx gms. Approx				
DB18.150	●						1.5	0.75	1.06	1.50	1.84	2.37	2.81	3.35	Weight (Metals) = xx gms. Approx				
DB18.175	●						1.6	0.87	1.24	1.75	2.14	2.77	3.27	3.91	1/4"	34	10	15.2	16
DB18.200	●						1.7	1.00	1.41	2.00	2.45	3.16	3.74	4.47	Weight (Metals) = 38 gms. Approx				
DB18.250	●						1.9	1.25	1.77	2.50	3.06	3.95	4.68	5.59	3/8"	36.5	10	21.2	22
DB18.300	●						2.0	1.50	2.12	3.00	3.67	4.74	5.61	6.71	Weight (Metals) = 90 gms. Approx				
DB18.350	●						2.3	1.75	2.47	3.50	4.29	5.53	6.55	7.83	1/2"	48.5	14	26.2	27
DB18.400	●	●	●				2.5	2.00	2.83	4.00	4.90	6.32	7.48	8.94	Weight (Metals) = 176 gms. Approx				
DB18.475	●	●	●				2.7	2.37	3.36	4.75	5.82	7.51	8.89	10.62	3/4"	58	14	31.5	27
DB18.650	●	●	●				3.1	3.25	4.60	6.50	7.96	10.28	12.16	14.53	Weight (Metals) = 230 gms. Approx				
DB18.800	●	●	●				3.5	4.00	5.66	8.00	9.80	12.65	14.97	17.89	1"	76	18	39.5	36
DB28.100			●				3.9	5.00	7.07	10.00	12.25	15.81	18.71	22.36	Weight (Metals) = 470 gms. Approx				
DB28.125			●				4.3	6.25	8.84	12.50	15.31	19.76	23.39	27.95					
DB28.160			●	●			4.9	8.00	11.31	16.00	19.60	25.30	29.93	35.78					
DB28.180				●			5.2	9.00	12.73	18.00	22.05	28.46	33.67	40.25					
DB28.200				●			5.5	10.00	14.14	20.00	24.49	31.62	37.42	44.72					
DB28.225				●			5.8	11.25	15.91	22.50	27.56	35.58	42.09	50.31					
DB28.250				●	●		6.1	12.50	17.68	25.00	30.62	39.53	46.77	55.90					
DB28.320				●	●		6.9	16.00	22.63	32.00	39.19	50.60	59.87	71.55					
DB28.400					●		7.7	20.00	28.28	40.00	48.99	63.25	74.83	89.44					
DB28.520						●	8.8	26.00	36.77	52.00	63.69	82.22	97.28	116.28					
DB28.650						●	9.9	32.50	45.96	65.00	79.61	102.77	121.60	145.34					
DB28.720						●	10.4	36.00	50.91	72.00	88.18	113.8	134.7	161.0					

End Connection : X – BSP, Y – BSPT, Z – NPT Available.

DB Series Full Cone Spray Nozzles

DB

(Axial Flow Female)



The larger spray nozzles in the D series are widely used in the industry, for a wide variety of applications. They maintain the simple design of the smaller nozzles, with the inherent resistance to clogging due to design of the X-vane, and are often manufactured out high quality alloys and special plastic materials.

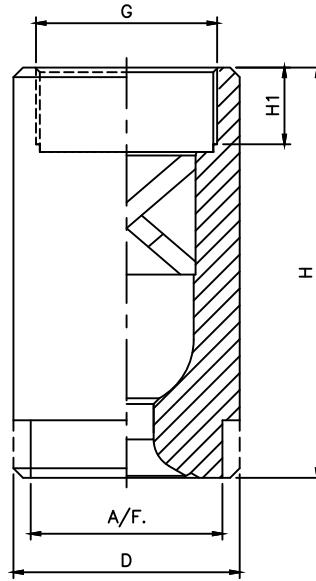
MODEL NO.	CONNECTION END			ORIFICE SIZE (mm)	FLOW CAPACITY IN LPM AT DIFFERENT PRESSURE							G/A DIMENSION. MM				
	1 1/4"	1 1/2"	2"		PRESSURE [BAR]							CONN.	H	H1	D	A/F
60° SPRAY ANGLE	BSP BSPT NPT	BSP BSPT NPT	BSP BSPT NPT		0.5	1.0	2.0	3.0	5.0	7.0	10.0	1 1/4"	H	H1	D	A/F
DB24.650	●			9.0	32.5	45.96	65.00	79.61	102.77	121.60	145.34	1 1/4"	96	20	49	41
DB24.800	●			10.0	40.00	56.57	80.00	97.98	126.49	149.67	178.89	Weight (Metals) = XX gms. Approx				
DB34.100	●			11.20	50.00	70.71	100.0	122.47	158.11	187.08	223.61	1 1/2"	107	20	59	50
DB34.118		●		12.2	59.00	83.44	118.0	144.52	186.57	220.76	263.86	Weight (Metals) = XX gms. Approx				
DB34.130		●		12.8	65.00	91.92	130.0	159.22	205.55	243.21	290.69	2"	130	22	68	60
DB34.160		●		14.2	80.00	113.14	160.0	195.96	252.98	299.33	357.77	Weight (Metals) = XX gms. Approx				
DB34.200			●	15.8	100	141.42	200.0	244.95	316.23	374.17	447.21					
DB34.227			●	16.9	113.5	160.51	227.0	278.02	358.92	424.68	507.59					
DB34.250			●	17.7	125	176.78	250.0	306.19	395.19	467.71	559.02					
DB34.300			●	19.1	150	212.13	300.0	367.42	474.34	561.25	670.82					
DB34.337			●	20.6	168.5	238.29	337.0	412.74	532.84	630.47	753.55					

MODEL NO.	CONNECTION END			ORIFICE SIZE (mm)	FLOW CAPACITY IN LPM AT DIFFERENT PRESSURE							G/A DIMENSION. MM				
	1 1/4"	1 1/2"	2"		PRESSURE [BAR]							CONN.	H	H1	D	A/F
90° SPRAY ANGLE	BSP BSPT NPT	BSP BSPT NPT	BSP BSPT NPT		0.5	1.0	2.0	3.0	5.0	7.0	10.0	CONN.	H	H1	D	A/F
DB26.650	●			9.7	32.5	45.96	65.00	79.61	102.77	121.60	145.34	1 1/4"	96	20	49	41
DB26.800	●			10.7	40.00	56.57	80.00	97.98	126.49	149.67	178.89	Weight (Metals) = 525.0 gms. Approx				
DB36.100	●			12.0	50.00	70.71	100.0	122.47	158.11	187.08	223.61	1 1/2"	107	20	59	50
DB36.118		●		13.0	59.00	83.44	118.0	144.52	186.57	220.76	263.86	Weight (Metals) = 915.0 gms. Approx				
DB36.130		●		13.7	65.00	91.92	130.0	159.22	205.55	243.21	290.69	2"	130	22	68	60
DB36.160		●		15.20	80.00	113.14	160.0	195.96	252.98	299.33	357.77	Weight (Metals) = 1535.0 gms. Approx				
DB36.200			●	17.0	100	141.42	200.0	244.95	316.23	374.17	447.21					
DB36.227			●	18.1	113.5	160.51	227.0	278.02	358.92	424.68	507.59					
DB36.250			●	19.0	125	176.78	250.0	306.19	395.19	467.71	559.02					
DB36.300			●	20.5	150	212.13	300.0	367.42	474.34	561.25	670.82					
DB36.337			●	22.0	168.5	238.29	337.0	412.74	532.84	630.47	753.55					

DB Series Full Cone Spray Nozzles

(Female)

DB



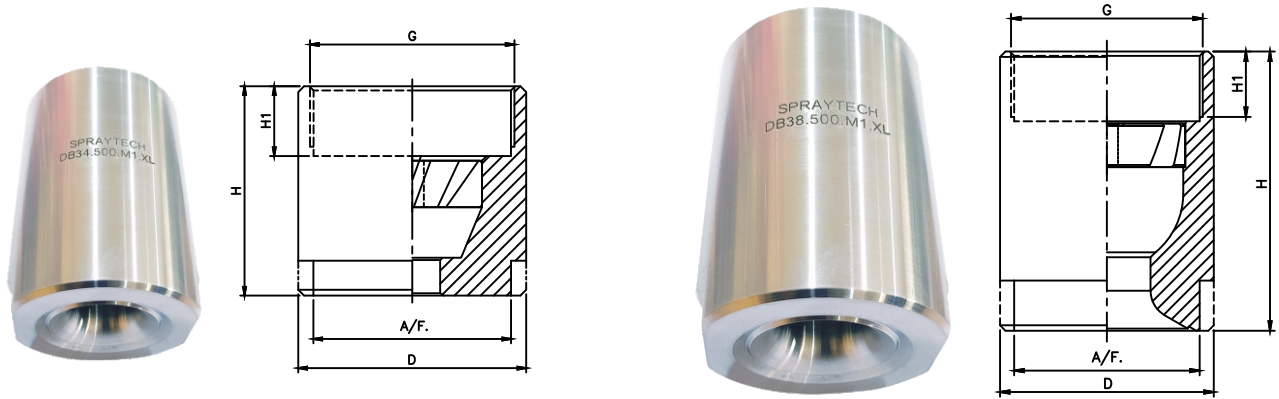
The larger spray nozzles in the DA Series are widely used in the industry, for a wide variety of applications. They maintain the simple design of the smaller nozzles, with the inherent resistance to clogging due to design of the X-vane and are often manufactured by any type of machinable material like SS304, SS316, PP/PVC etc.

MODEL NO.	CONNECTION END			ORIFICE SIZE (mm)	FLOW CAPACITY IN LPM AT DIFFERENT PRESSURE							G/A DIMENSION. MM				
	1 1/4"	1 1/2"	2"		PRESSURE [BAR]							CONN.	H	H1	D	A/F
120° SPRAY ANGLE	BSP BSPT NPT	BSP BSPT NPT	BSP BSPT NPT		0.5	1.0	2.0	3.0	5.0	7.0	10.0	1 1/4"	H	H1	D	A/F
DB28.800	●			11.4	40.00	56.57	80.00	97.98	126.49	149.67	178.89	1 1/4"	96	20	49	41
DB38.100	●			12.7	50.00	70.71	100.0	122.47	158.11	187.08	223.61	Weight (Metals) = XX gms. Approx				
DB38.118	●	●		13.8	59.00	83.44	118.0	144.52	186.57	220.76	263.86	1 1/2"	107	20	59	50
DB38.130	●	●		14.5	65.00	91.92	130.0	159.22	205.55	243.21	290.69	Weight (Metals) = XX gms. Approx				
DB38.160		●		16.1	80.00	113.14	160.0	195.96	252.98	299.33	357.77	2"	130	22	68	60
DB38.200			●	18.0	100.0	141.42	200.0	244.95	316.23	374.17	447.21	Weight (Metals) = XX gms. Approx				
DB38.227			●	19.1	113.5	160.51	227.0	278.02	358.92	424.68	507.59					
DB38.250			●	20.1	125.0	176.78	250.0	306.19	395.19	467.71	559.02					
DB38.300			●	21.5	150.0	212.13	300.0	367.42	474.34	561.25	670.82					
DB38.337			●	23.3	168.5	238.29	337.0	412.74	532.84	630.47	753.55					

DB Series Full Cone Spray Nozzles

(Female)

DB



60° SPRAY ANGLE	CONNECTION END				ORIFICE SIZE (mm)	FLOW CAPACITY IN LPM AT DIFFERENT PRESSURE							G/A DIMENSION. MM				
	2 1/2"	3"	3 1/2"	4"		PRESSURE [BAR]							CONN.	H	H1	D	A/F
MODEL NO.	BSP BSPT NPT	BSP BSPT NPT	BSP BSPT NPT	BSP BSPT NPT		0.5	1.0	2.0	3.0	5.0	7.0	10.0					
DB.34.400	●				25.0	200	282.84	400	489.90	632.46	748.33	894.43	2 1/2"	82	27	83	75
DB.34.500	●				28.0	250	353.55	500	612.37	790.57	935.41	1118.03	Weight (Metals) = XX gms. Approx				
DB.34.625		●			31.3	312.5	441.94	625	765.47	988.21	1169.27	1397.54	3"	90	30	98	85
DB.34.710		●			33.3	355	502.05	710	869.57	1122.61	1328.29	1587.61	Weight (Metals) = XX gms. Approx				
DB.34.800			●		35.4	400	565.69	800	979.80	1264.91	1496.66	1788.85	3 1/2"	105	32	118	105
DB.44.1000			●		36.0	500	707.11	1000	1224.74	1581.14	1870.83	2236.07	Weight (Metals) = XX gms. Approx				
DB.44.1250				●	42.0	625	883.88	1250	1530.93	1976.42	2338.54	2795.08	4"	130	36	128	110
													Weight (Metals) = XX gms. Approx				

90° SPRAY ANGLE	CONNECTION END				ORIFICE SIZE (mm)	FLOW CAPACITY IN LPM AT DIFFERENT PRESSURE							G/A DIMENSION. MM				
	2 1/2"	3"	3 1/2"	4"		PRESSURE [BAR]							CONN.	H	H1	D	A/F
MODEL NO.	BSP BSPT NPT	BSP BSPT NPT	BSP BSPT NPT	BSP BSPT NPT		0.5	1.0	2.0	3.0	5.0	7.0	10.0					
DB.36.400	●				25.0	200	282.84	400	489.90	632.46	748.33	894.43	2 1/2"	82	27	83	75
DB.36.500	●				28.0	250	353.55	500	612.37	790.57	935.41	1118.03	Weight (Metals) = XX gms. Approx				
DB.36.625		●			31.3	312.5	441.94	625	765.47	988.21	1169.27	1397.54	3"	90	30	98	85
DB.36.710		●			33.3	355	502.05	710	869.57	1122.61	1328.29	1587.61	Weight (Metals) = XX gms. Approx				
DB.36.800			●		35.4	400	565.69	800	979.80	1264.91	1496.66	1788.85	3 1/2"	105	32	118	105
DB.46.1000			●		36.0	500	707.11	1000	1224.74	1581.14	1870.83	2236.07	Weight (Metals) = XX gms. Approx				
DB.46.1250				●	42.0	625	883.88	1250	1530.93	1976.42	2338.54	2795.08	4"	130	36	128	110
													Weight (Metals) = XX gms. Approx				

120° SPRAY ANGLE	CONNECTION END				ORIFICE SIZE (mm)	FLOW CAPACITY IN LPM AT DIFFERENT PRESSURE							G/A DIMENSION. MM				
	2 1/2"	3"	3 1/2"	4"		PRESSURE [BAR]							CONN.	H	H1	D	A/F
MODEL NO.	BSP BSPT NPT	BSP BSPT NPT	BSP BSPT NPT	BSP BSPT NPT		0.5	1.0	2.0	3.0	5.0	7.0	10.0					
DB.38.400	●				25.0	200	282.84	400	489.90	632.46	748.33	894.43	2 1/2"	124	27	83	75
DB.38.500	●				28.0	250	353.55	500	612.37	790.57	935.41	1118.03	Weight (Metals) = 2989 gms. Approx				
DB.38.625		●			31.3	312.5	441.94	625	765.47	988.21	1169.27	1397.54	3"	128	30	98	85
DB.38.710		●			33.3	355	502.05	710	869.57	1122.61	1328.29	1587.61	Weight (Metals) = 5073 gms. Approx				
DB.38.800			●		35.4	400	565.69	800	979.80	1264.91	1496.66	1788.85	3 1/2"	155	32	118	105
DB.48.1000			●		36.0	500	707.11	1000	1224.74	1581.14	1870.83	2236.07	Weight (Metals) = 8380 gms. Approx				
DB.48.1250				●	42.0	625	883.88	1250	1530.93	1976.42	2338.54	2795.08	4"	165	36	128	110
													Weight (Metals) = 9513 gms. Approx				