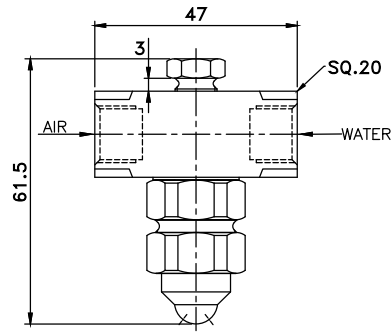
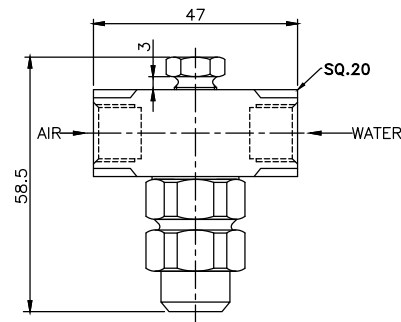


# DAIA Series Full Cone Internal Air Atomizing Spray Nozzles



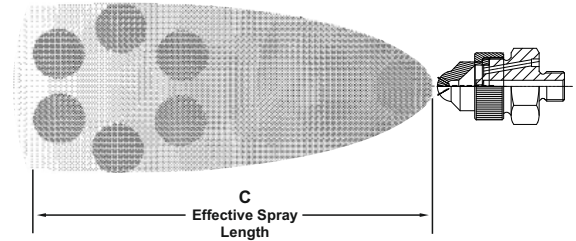
Full Cone spray pattern ( range 45° to 120° )



Full Cone spray pattern ( range 15° to 30° )

## DESIGN / SPRAY CHARACTERISTICS

- Internal Mix
- Very fine atomization
- Full Cone spray pattern ( range 15° to 120° )
- Moderate forward spray projection



## Flow Rates and Dimensions

Pressure-fed, Internal Mix, Wide Angle Round Spray Pattern, 1/8" and 1/4" Pipe Sizes, BSP or NPT

Pipe Size	Model No.	0.7 Bar Liquid			1.5 Bar Liquid			2.0 Bar Liquid			3.0 Bar Liquid			4.0 Bar Liquid			Spray Dimensions			
		Air (bar)	l/h	Nm <sup>3</sup> /h	Air (bar)	l/h	Nm <sup>3</sup> /h	Air (bar)	l/h	Nm <sup>3</sup> /h	Air (bar)	l/h	Nm <sup>3</sup> /h	Air (bar)	l/h	Nm <sup>3</sup> /h	"C" Effective Spray Length(mm)	Max. Spray Length (m)		
1/8 or 1/4	DAIA 050	0.6	5.3	0.60	1.1	8.1	0.79	1.5	8.1	0.92	2.4	8.9	1.24	3.1	10.5	1.44	230 240 250 260 300	1.5 1.8 2.1 2.7 4.0		
		0.7	4.3	0.72	1.3	7.0	0.88	1.8	6.6	1.09	2.7	8.1	1.40	3.4	9.7	1.68				
		0.9	3.0	0.84	1.4	6.4	0.94	2.1	4.9	1.32	3.0	6.4	1.66	3.9	7.8	2.16				
		1.0	1.7	1.02	1.5	5.5	1.01	2.4	3.2	1.68	3.2	4.9	1.92	4.2	6.1	2.52				
					1.7	4.5	1.16				3.4	4.2	2.13	4.6	4.4	2.82				
			1.8	3.5	1.30				3.5	3.4	2.33	4.9	2.8	3.24						
1/8 or 1/4	DAIA 100	0.9	7.0	3.00	1.7	13.2	4.08	2.0	18.5	4.08	2.8	25.0	5.04	3.7	31.0	5.76	310 330 330 340 370	1.8 2.4 3.2 4.1 5.9		
		1.0	2.1	3.72	1.8	9.8	4.74	2.1	15.1	4.56	3.0	22.0	5.52	3.8	28.0	6.30				
								2.2	11.7	5.10	3.1	18.5	6.06	3.9	26.0	6.78				
											3.2	15.1	6.54	4.1	23.0	7.32				
											3.4	12.1	7.14	4.2	20.0	7.80				
									3.5	9.1	7.80	4.6	13.6	9.18						
									3.7	6.1	8.52	4.9	6.8	11.0						
1/8 or 1/4	DAIA 150	1.1	12.3	2.40	2.2	16.3	3.72	2.7	21.0	4.14	4.2	19.3	6.00	5.6	22.0	7.80	230 240 240 250 280	2.7 4.6 5.5 7.3 9.4		
		1.3	9.9	2.70	2.5	12.1	4.26	3.0	16.3	4.68	4.6	14.6	6.78	6.0	17.6	8.52				
		1.4	7.9	3.00	2.8	8.9	4.74	3.2	12.3	5.16	4.9	10.8	7.44	6.3	14.0	9.12				
		1.5	6.1	3.24	3.0	7.6	4.98	3.4	10.7	5.46	5.3	8.1	8.10	6.7	11.4	9.78				
		1.7	4.9	3.48	3.1	6.4	5.22	3.5	9.3	5.64	5.6	6.2	8.76	7.0	9.1	10.4				
			3.2	5.5	5.46	3.9	6.4	6.30	6.0	4.9	9.42									
			2.0	3.1	4.02	3.4	4.7	5.70	4.2	4.7	6.90	6.3	4.0	10.00						
1/8 or 1/4	DAIA 200	0.7	24.0	1.92	1.4	43.0	2.22	2.1	33.0	3.96	2.8	52.0	3.90	3.7	63.0	4.08	360 370 370 380 390	2.1 3.2 4.1 5.0 6.8		
		0.9	13.6	2.64	1.5	35.0	2.94	2.2	26.0	4.68	3.0	46.0	4.56	3.8	58.0	4.74				
		1.0	7.6	3.42	1.7	28.0	3.66	2.4	18.9	5.34	3.1	39.0	5.22	4.0	52.0	6.06				
					1.8	21.0	4.26	2.5	11.7	6.00	3.2	33.0	5.94	4.2	41.0	6.66				
											3.4	26.0	6.60	4.6	27.0	8.28				
									3.5	19.5	7.32	4.9	15.9	9.96						
									3.7	13.2	7.98									
1/8 or 1/4	DAIA 250	1.3	36.0	5.10	2.1	57.0	6.96	3.1	53.0	9.36	4.2	64.0	11.8	5.6	74.0	14.7	330 340 370 380 400	5.5 6.4 8.2 9.1 10.4		
		1.5	29.0	6.12	2.4	51.0	7.80	3.2	50.0	9.78	4.9	51.0	13.8	6.0	68.0	15.6				
		1.8	23.0	7.02	2.7	45.0	8.58	3.4	47.0	10.2	5.6	40.0	15.9	6.3	62.0	16.8				
		2.0	19.7	7.50	3.0	39.0	9.42	3.5	45.0	10.6	6.0	34.0	17.1	6.7	56.0	17.7				
		2.1	16.7	7.98	3.2	33.0	10.2	3.9	38.0	11.6	6.3	28.0	18.0	7.0	51.0	18.9				
			2.3	14.0	8.52	3.5	28.0	11.1	4.6	25.5	13.8	6.7	22.0	19.2						
			2.4	11.4	8.94	4.2	13.6	13.2	4.9	18.5	14.7	7.0	17.8	20.1						
1/8 or 1/4	DAIA 300	1.7	27.0	9.36	3.0	39.0	13.8	3.4	50.0	15.0	4.6	62.0	19.2	6.0	93.0	23.7	460 470 510 530 580	5.5 6.4 7.3 7.9 9.8		
		1.8	20.0	10.0	3.1	33.0	14.4	3.5	43.0	15.6	4.9	47.0	20.7	6.3	77.0	25.5				
		2.0	15.9	10.7	3.2	27.0	15.3	3.7	41.0	16.5	5.3	36.0	22.5	6.7	62.0	27.6				
		2.1	12.5	11.6	3.4	23.0	15.9	3.9	27.0	18.0	5.6	26.0	24.3	7.0	52.0	29.7				
		2.3	10.2	12.3	3.5	18.5	16.8	4.1	23.0	18.6	6.0	18.9	26.1							
			3.7	14.8	17.4	4.2	18.9	19.2	6.3	13.6	27.6									

Standard Materials: Nickel-plated Brass, 303 Stainless Steel and 316 Stainless Steel.